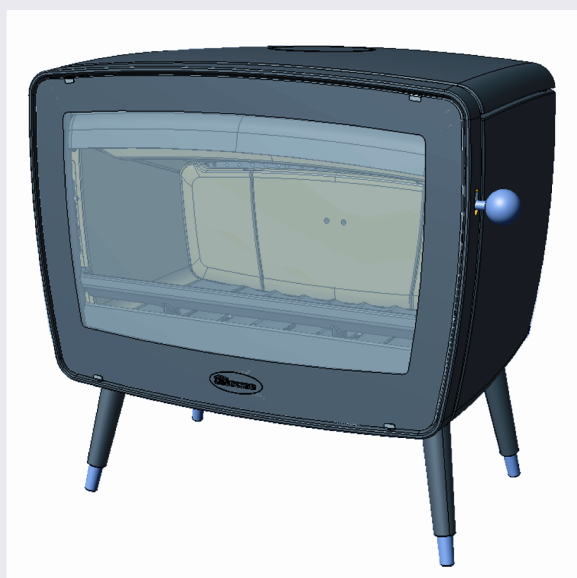


INSTALLATIEVOORSCHRIFTEN EN GEBRUIKSAANWIJZING
INSTALLATION INSTRUCTIONS AND OPERATING MANUAL
INSTALLATION ET MODE D'EMPLOI
EINBAUANLEITUNG UND GEBRAUCHSANWEISUNG
INSTRUCCIONES DE INSTALACIÓN Y USO

HOUTKACHEL
WOOD STOVE
POELE A BOIS
HOLZ-FEUERSTÄTTE
ESTUFA DE LEÑA



Vintage 50-35-30



03.27681.100 - 04 2011

Inhoud

Inhoud	2
Inleiding	3
Conformiteitsverklaring	4
Veiligheid	5
Installatiecondities	6
Algemeen.....	6
Schoorsteen.....	6
Ventilatie van de ruimte.....	7
Vloer en wanden.....	7
Productbeschrijving.....	8
Installatie	9
Algemene voorbereiding.....	9
Deursluiting.....	10
Schoorsteenaansluiting voorbereiden.....	11
Buitenluchtaansluiting voorbereiden.....	12
Plaatsen en aansluiten.....	13
Gebruik	14
Eerste gebruik.....	14
Brandstof.....	14
Aanmaken.....	14
Stoken met hout.....	15
Regeling van de verbrandingslucht.....	16
Doven van het vuur.....	16
Ontassen.....	16
Nevel en mist.....	17
Eventuele problemen.....	17
Onderhoud	18
Schoorsteen.....	18
Schoonmaken en ander regelmatig.....	
onderhoud.....	18
Bijlage 1: Technische gegevens	22
Bijlage 2: Afmetingen	23
Bijlage 3: Afstand tot brandbaar materiaal ..	26
Bijlage 4: Diagnoseschema	29
Index	30

Introduction

Dear user,

In buying this DOVRE heating appliance, you have chosen a high quality product. This product is part of a new generation of energy saving and environmentally friendly heating appliances. These appliances make optimal use of convection heat as well as thermal radiation (radiant heat).

- ▶ Your DOVRE appliance has been manufactured with state-of-the-art production means. In the unlikely event of a malfunction, you can always rely on DOVRE for support and service.
- ▶ The appliance is not to be modified; always use original parts.
- ▶ The appliance is intended for use in a living room. It must be connected hermetically to a well-functioning chimney.
- ▶ We advise you to let an authorized and competent installation company install the appliance.
- ▶ DOVRE cannot be held liable for any problems or damage resulting from an incorrect installation.
- ▶ Observe the following safety rules when installing and using the appliance.

In this manual, you can read how the DOVRE heating appliance can be installed, used and maintained safely. Should you require additional information or technical data, or should you be experiencing a installation problem, please contact your supplier in the first instance.

© 2010 DOVRE NV

Declaration of conformity



Notified body: 1625

Dovre nv, Nijverheidsstraat 18 B-2381 Weelde hereby declares

that houtkachel Vintage 50, Vintage 35 en Vintage 30 has been produced in accordance with EN 13240.

Weelde 19-01-2011

T. Gehem














A handwritten signature in black ink, appearing to read 'T. Gehem', with a large, sweeping flourish at the end.

In het kader van een continue productverbetering, kunnen specificaties van het geleverde toestel afwijken van de beschrijving in deze brochure, zonder voorafgaande kennisgeving.

DOVRE N.V.

Nijverheidsstraat 18 Tel: +32 (0) 14 65 91 91
B-2381 Weelde Fax: +32 (0) 14 65 90 09
België E-mail: info@dovre.be

Safety

-  Please note: All safety regulations must be complied with strictly
 -  Carefully read the instructions for installation, use and maintenance before you start using the appliance.
 -  The appliance must be installed in accordance with the laws and requirements of your country.
 -  All local regulations and the regulations relating to national and European standards must be observed when installing the appliance.
 -  Read the instructions for installation, use and maintenance that were supplied with the appliance.
 -  It is preferable to have the appliance installed by an authorized and competent installation company. They will be aware of the applicable regulations and requirements.
 -  The appliance is designed for heating purposes. All surfaces, including the glass and the connecting tube, can get very hot (over 100 °C)! For operation, use a so-called "cold hand" or an oven glove.
 -  Don't place any curtains, clothes, laundry or other combustible materials on or near the appliance.
 -  Don't use flammable or explosive substances near the appliance when it is in use.
 -  Avoid a chimney fire by having the chimney swept regularly. Never burn wood with an open door.
 -  In the case of a chimney fire: close all air inlets of the appliance and alert the fire brigade.
 -  If the glass in the appliance is broken or cracked, it must be replaced before you can use the appliance again.
-  Make sure there is adequate ventilation in the room where the appliance is installed. The combustion will be incomplete in case of insufficient ventilation, which results in toxic gases being produced and spread through the area. See the chapter "Installation requirements" for more information on ventilation.

Installation requirements

General

- ▶ The appliance must be connected tightly to a well-functioning chimney.
- ▶ For the connection measurements: see the appendix "Technical data".
- ▶ Ask the fire brigade and/or your insurance company about any specific requirements and regulations.

Flue or chimney

The flue or chimney is needed for:

- ▶ Disposing of the combustion gases through natural draught.
 - i** The warm air in the flue or chimney is lighter than the outside air so it rises.
- ▶ The intake of air, needed for the combustion of fuel in the appliance.

A poorly functioning flue or chimney can cause smoke to escape into the room when the door is opened. Damage caused by smoke emissions into the room is not covered by the warranty.

- !** Do not connect multiple appliances (such as a boiler for central heating) to the same flue, unless local or national regulations allow this.

Ask your installer for advice regarding the flue. Refer to the European norm EN13384 for a correct calculation for the flue.

The flue must satisfy the following **requirements**:

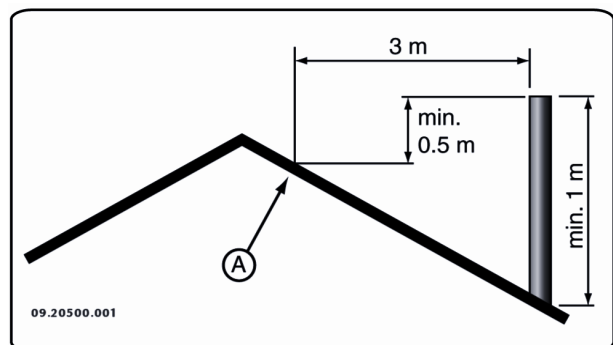
- ▶ The flue or chimney must be made of fire resistant material, preferably ceramics or stainless steel.
- ▶ The flue or chimney must be airtight and well cleaned and guarantee sufficient draught.
 - i** A draught /vacuum of 15 - 20 Pa during normal operation is ideal.
- ▶ Starting from the flue spigot, the flue must run as vertically as possible. Changes in direction and

horizontal pieces disrupt the outward flow of combustion gases and may cause the deposit of soot.

- ▶ The interior measurements should not be too big, to prevent the combustion gases from cooling down too much, thereby reducing the draught.
- ▶ The flue or chimney must ideally have the same diameter as the connection collar.

i For the nominal diameter: see the appendix "Technical data". If the smoke channel is well insulated, the diameter may be slightly bigger (up to 2x the section of the connection collar).

- ▶ The section (area) of the smoke channel must be constant. Wider segments and (in particular) narrower segments disrupt the outward flow of combustion gases.
- ▶ When using a cover plate or exhaust hood: make sure that the cover does not restrict the flue outlet and that the cap does not impede the outward flow of combustion gases.
- ▶ The chimney must end in a zone that is not affected by surrounding buildings, adjacent trees or other obstacles.
- ▶ The chimney part outside the house must be insulated.
- ▶ The chimney must be at least 4 metres high.
- ▶ As a rule of thumb: 60 cm above the ridge of the roof.
- ▶ If the ridge of the roof is more than 3 metres away from the flue: stick to the measurements in the following figure. A = the highest point of the roof within a distance of 3 metres.



Ventilation of the area

For good combustion, the appliance needs air (oxygen). That air is supplied via adjustable air inlets from the area where the appliance is installed.

- ⚠ The combustion will be incomplete in case of insufficient ventilation, which results in toxic gases being produced and spread through the area.

As a rule of thumb, the air supply should be 5.5 cm²/kW. Extra ventilation is needed when:

- ▶ The appliance is in an area that is well insulated.
- ▶ There is mechanical ventilation, for example a central extraction system or an extraction hood in an open kitchen.

You can provide extra ventilation by having a ventilation louvre installed in the outside wall.

Make sure that other air consuming appliances (such as tumble-driers, other heating appliances or a bath room fan) have their own supply of outside air, or are switched off when you use the appliance.

- i** You can also connect the appliance to a supply of outside air. For this purpose, a connecting kit has been included. Extra ventilation is not needed in that case.

Floor and walls

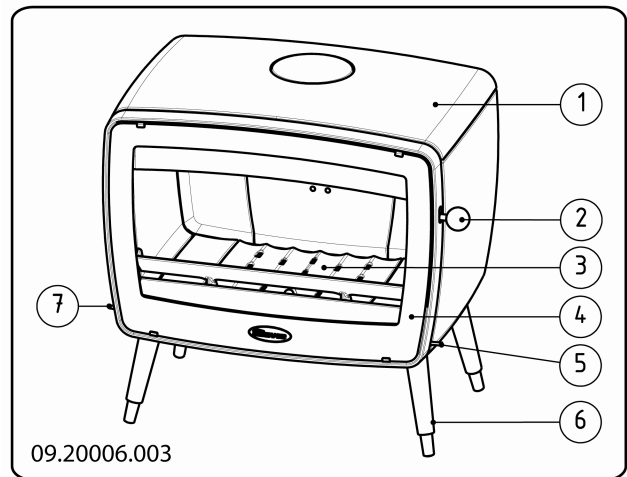
The floor on which the appliance is placed must have sufficient load bearing capacity. For the appliance weight: see the appendix "Technical Data".

- ⚠ Protect a flammable floor from heat radiation by means of a fireproof protective plate. See the appendix "Distance from combustible material".
- ⚠ Keep enough distance between the appliance and combustible materials such as wooden walls and furniture.
- ⚠ The connecting tube radiates heat too. Ensure that there is sufficient distance or a shield between the connecting tube and combustible material.
The rule of thumb for a single-walled tube is a distance of 3x the diameter. If a lining shell is

fitted around the tube, a distance of 1x the diameter is permissible.

- ⚠ Carpets and rugs must be at least 80 cm away from the fire.
- ⚠ Protect a flammable floor from possible falling ash in front of the fire with the aid of a fireproof protective plate. The protective plate must comply with national standards.
- ⚠ For further requirements with respect to fire safety, see the appendix "Distance from combustible material".

Product description

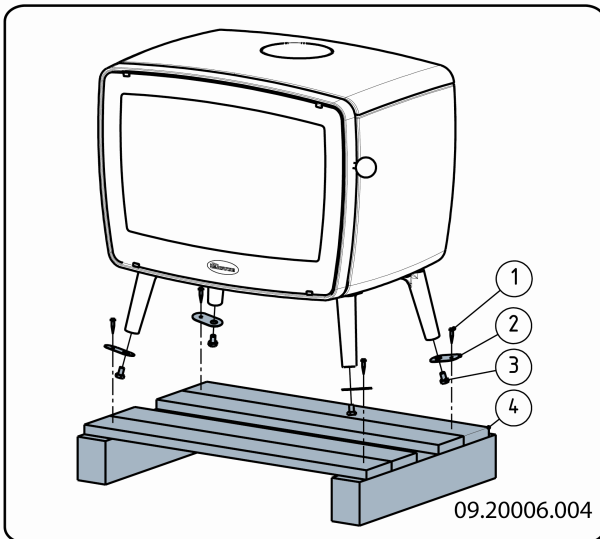


1. Top plate
2. Latch button
3. Bottom of the fire compartment
4. Door
5. Secondary air slide
6. Leg
7. Primary air slide

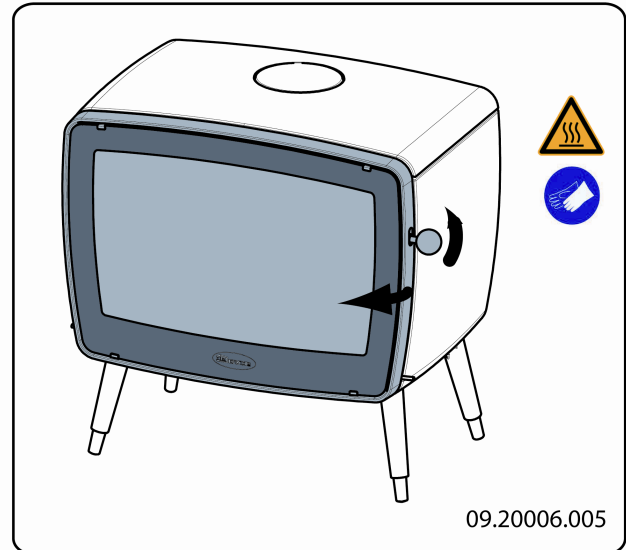
Installation

General preparation

- ▶ Please check the appliance for damage caused during transport or any other damage or defects immediately after delivery. The appliance is attached to the pallet with screws at the bottom.
- ⚠ If you detect damage caused during transport or any other damage or defects, do not use the appliance and notify the supplier.
- ▶ Remove the removable parts (fire-resistant inner plates, fire grate, top plate, ashtray) from the appliance before you start installing the appliance.
- i** By removing removable parts, it is easier to move the appliance and to avoid damage.
- ⚠ Note the location of those removable parts, so that you have no difficulties in installing the parts in the right place later on. The appliance is attached to the pallet with screws at the bottom.



1. Open the door; see the following figure.

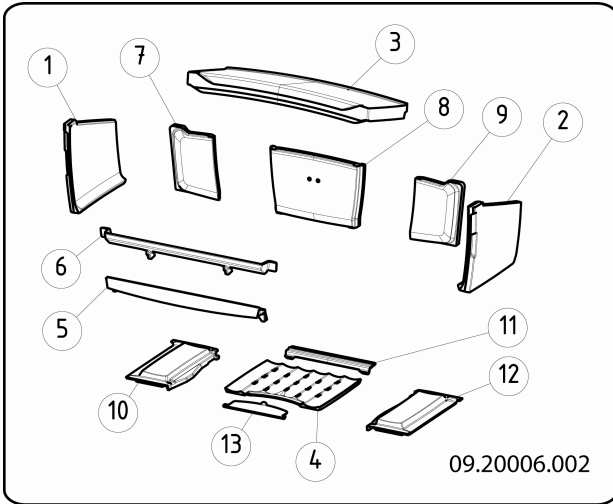


2. Remove the fire-resistant inner plates; see the following figure.

The following tips may help in the removal of the inner plates:

- a. Lift baffle plate 3 on the front and pull it forwards by 2 cm.
- b. Now, lift the baffle plate on the left-hand side and remove the left-hand inner plate 1 first.
- c. Then remove baffle plate 3 followed by inner plates 7, 8, 9, 2 etc.

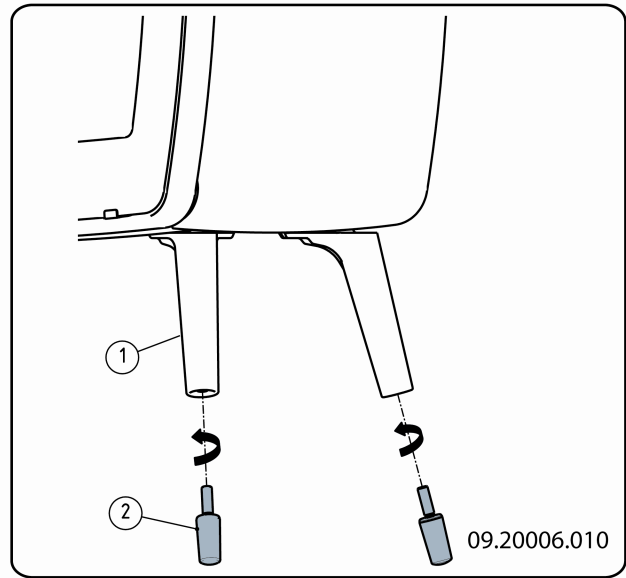
- i** Vermiculite inner plates are light and tend to be ochrous in colour when delivered. They insulate the combustion chamber to boost combustion. Cast iron inner plates protect the combustion chamber and dissipate heat to the environment.



Removable internal sections

- 1 left-hand side inner plate
- 2 right-hand side inner plate
- 3 baffle plate
- 4 centre bottom of the fire compartment
- 5 bottom fire basket not for Vintage 30
- 6 top fire basket
- 7 left-hand rear inner plate not for Vintage 30
- 8 centre rear inner plate not for Vintage 30
- 9 right-hand rear inner plate not for Vintage 30
- 10 left-hand bottom of the fire compartment not for Vintage 30
- 11 rear bottom of the fire compartment not for Vintage 30
- 12 right-hand bottom of the fire compartment not for Vintage 30
- 13 ash removal port not for Vintage 30

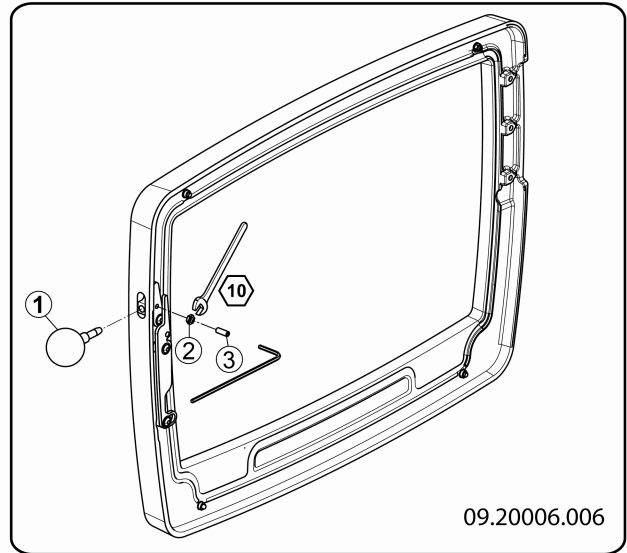
3. Remove the ashtray.
Please note: the Vintage 30 does not have an ashtray.
4. Install the adjustable feet under the legs, see figure. When used on a slippery floor surface, it is recommended that a rubber mat is used under the legs.



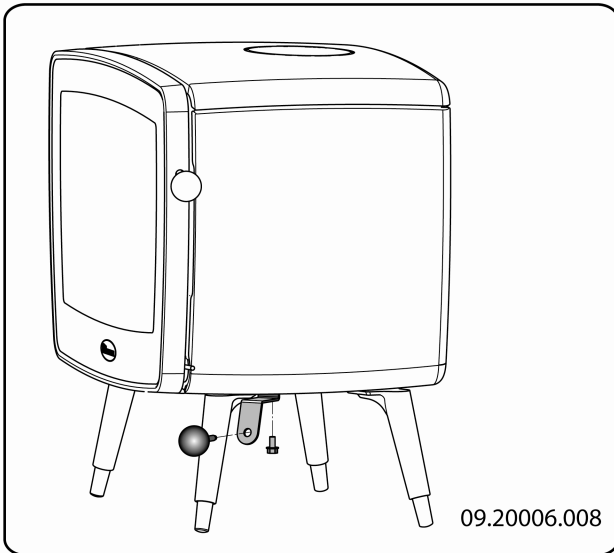
Door lock

The appliance is supplied with the latch button installed. You could decide to use the latch button as a "cold hand".

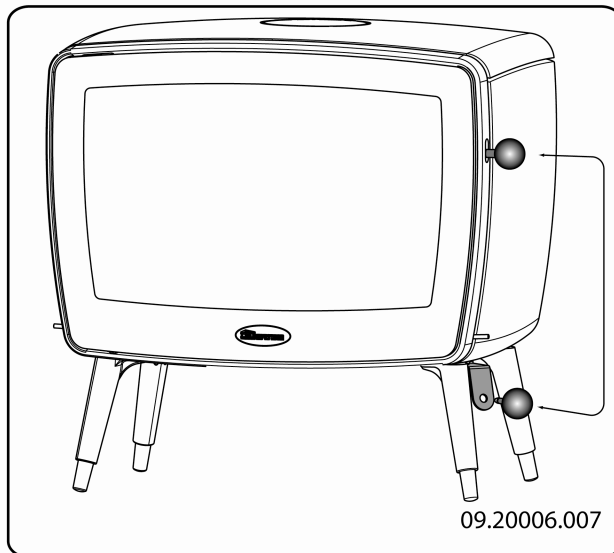
1. Loosen nut (2) slightly and loosen the set screw (3) until the latch button is released.



2. Re-tighten nut (2).
3. Install the latch retainer on the base, see figure.




4. Place the latch button into the latch retainer, see figure.



Preparing the connection to chimney

When connecting the appliance to a chimney, you can choose the **top** or **rear** of the appliance.

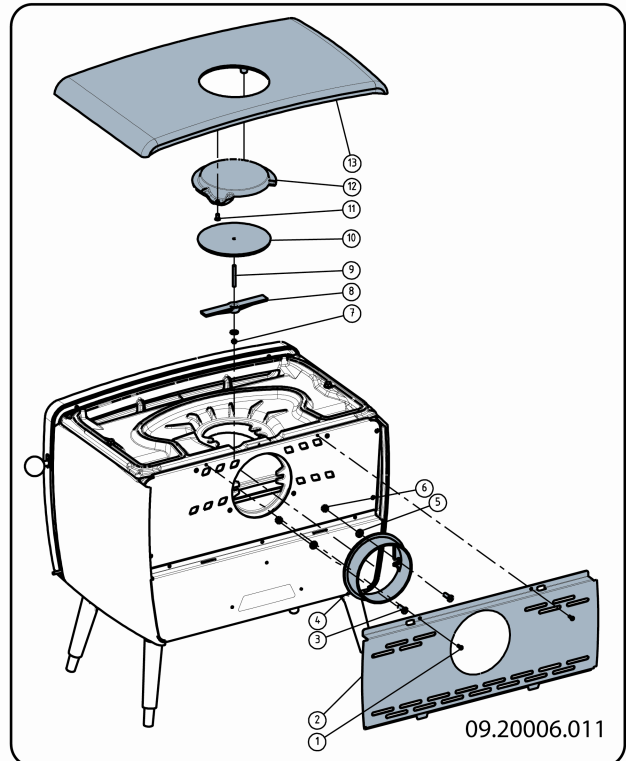
 When the appliance is delivered, the connection on the rear is left open.

- ▶ Plug the outlet that you don't want to use with the corresponding cover that was supplied.


- ▶ Install the corresponding connection collar that was supplied on the outlet that you want to use.
- ▶ Sealant and materials are supplied.

Connecting to the rear

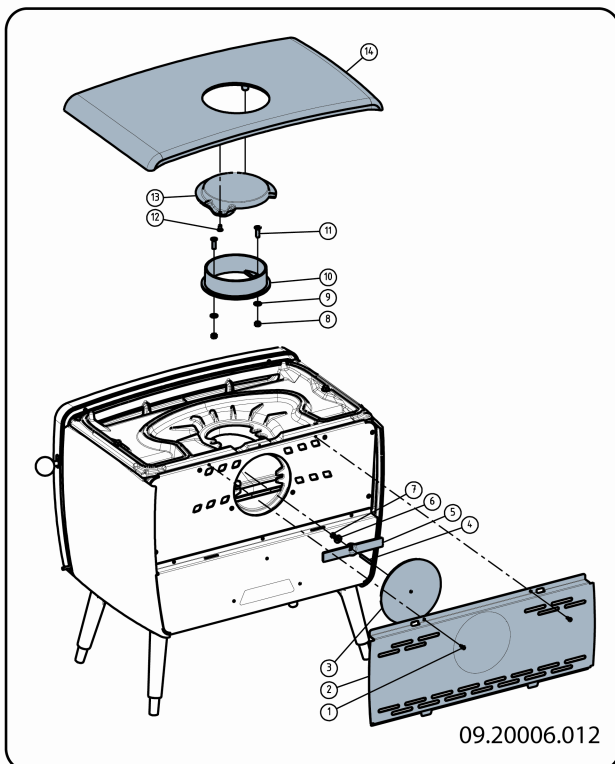
1. Apply supplied fibre glass sealing tape of 10x3mm to the contact surface of the connection collar.
2. Install the connection collar to the back wall with the materials.



Connect to top

1. Remove the top plate.
 -  The top plate can be taken off the appliance just like that.
2. Remove the decorative cover (12) from the top plate.
3. Remove the cover (10) from the inner top plate.
4. Apply sealing tape measuring 10 x 3mm to the contact surface of the connection collar.
5. Install the connection collar to the inner top plate with the materials.

6. Install the cover to the back wall with the materials.



Preparing the connection to the outside air

If the appliance is installed in a room without sufficient ventilation, you can install the connecting kit on the appliance (supplied with the appliance) for the supply of outside air. Some of the air inlets on the appliance must then be plugged with the blanking material provided.

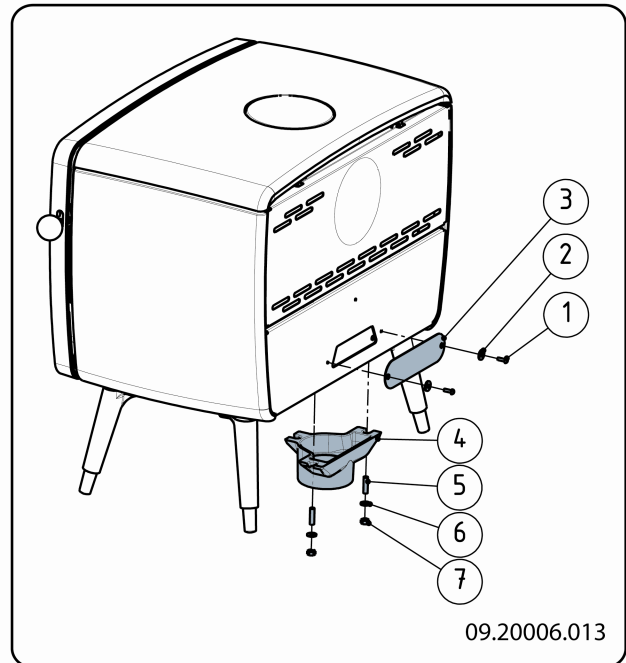
The air supply tube has a diameter of 100mm. If the tube is smooth, it may be no longer than 12m. If accessories such as bends are used, the maximum length (12m) must be reduced by 1m for each accessory used.

Outside air connection via the floor

1. Make an opening in the floor (see Appendix 2, Measurements, for the correct position of the opening).
2. Hermetically close the air supply tube at the floor.

3. Install the connection collar on the bottom plate and close the rear wall with the cover.

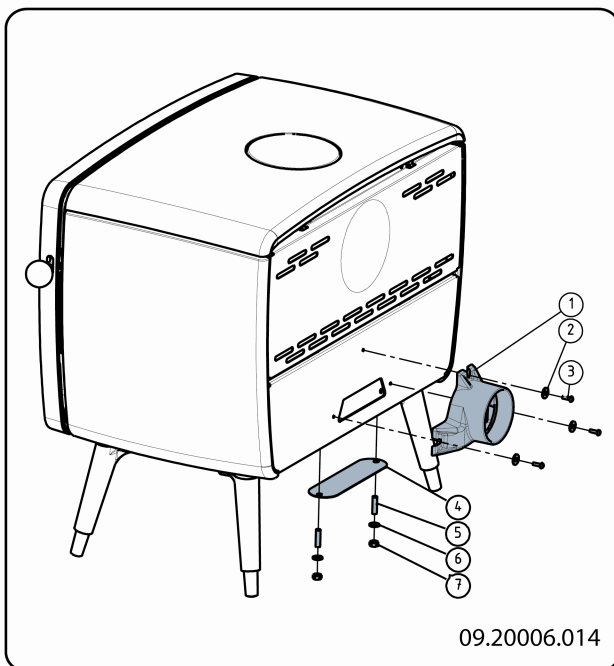
The guard is no 3 on the diagram.



Connection to outside air via the rear of the appliance:


1. Make an opening in the wall (see Appendix 2, Measurements, for the correct position of the opening).
2. Hermetically close the air connection tube at the wall.
3. Install the connection collar on the back wall and close the opening in the bottom plate with the cover.

The guard is no 4 on the diagram.



Install and connect

1. Install the appliance in the right place, and make sure it is level.
2. Connect the appliance hermetically to the flue.
3. In the case of connection to outside air: attach the connection to the outside air to the connecting set that you have attached to the appliance.
4. Install all the parts you had removed in the right places in the appliance.

 Never use the appliance without the fire-resistant inner plates.

The appliance is now ready for use.

Use

First use

When you use the appliance for the first time, make an intense fire and keep it going for a good few hours. This will cure the heat-resistant paint finish. This may result in some smoke and odours. You could open windows and doors for a while in the area where the appliance is located.

Fuel

This appliance is only suitable for the burning of natural wood; sawn and chopped wood that is sufficiently dry.

Do not use other fuels, as they can lead to serious damage to the appliance.

You are not allowed to use the following fuels, as they pollute the environment, and because they heavily pollute the appliance and flue, which may lead to a chimney fire:

- ▶ Treated wood, such as scrap wood, painted wood, impregnated wood, preserved wood, plywood and chipboard.
- ▶ Plastics, scrap paper and domestic waste.

Wood

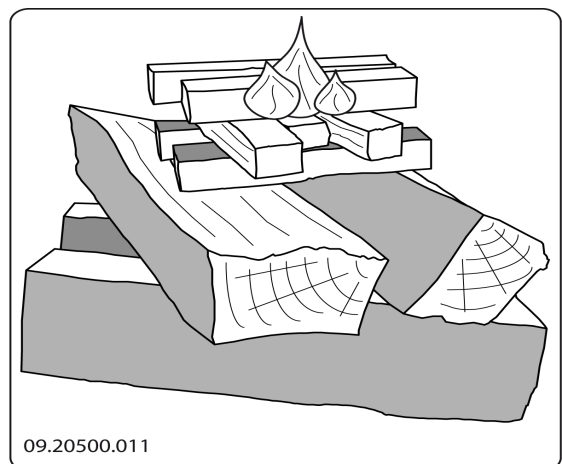
- ▶ Hardwood, such as from oaks, beeches, birches and fruit trees, is the ideal fuel for your stove. This type of wood burns slowly with calm flames. Softwood contains more resins, burns faster and gives off more sparks.
- ▶ Use dried wood that contains no more than 20% moisture. The wood must have dried for at least 2 years.
- ▶ Saw the wood to size and split it when it is still fresh. Fresh wood is easier to split, and split wood dries more easily. Store the wood under a roof where the wind has wind free access.
- ▶ Do not use damp wood. Damp logs do not produce heat as all of the energy is used in the evaporation of the moisture. This will result in a lot of smoke and soot deposits on the door of the appliance and in the chimney. The water vapour will condense in

the appliance and can leak away through chinks in the appliance, causing black stains on the floor. It may also condense in the chimney and form creosote. Creosote is a highly flammable compound and may cause a chimney fire.

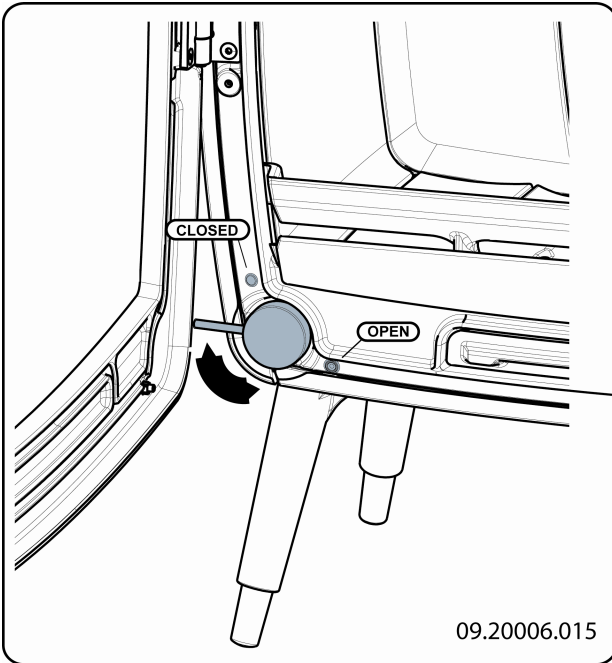
Lighting

You can check whether the flue has enough draught by lighting a ball of paper above the baffle plate. A cold flue often does not have enough draught and consequently, some smoke may escape into the room instead of up the chimney. By lighting the fire in the way described here, you can avoid this problem.

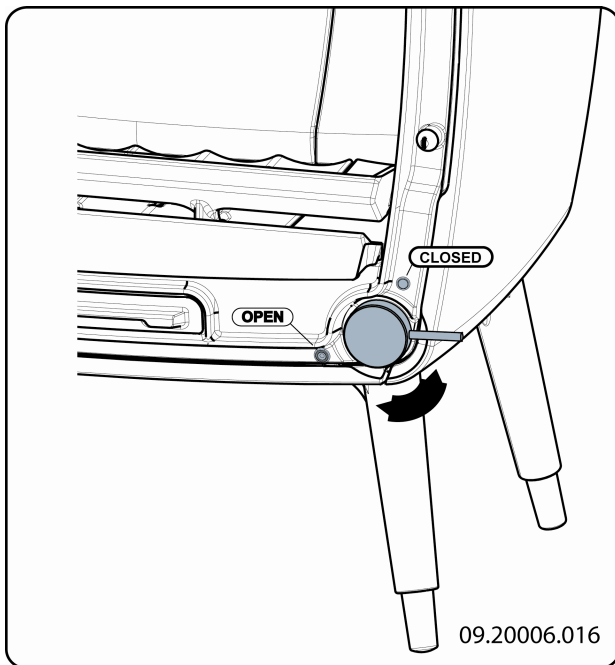
1. Stack two layers of medium sized logs crosswise.
2. Stack two layers of kindling crosswise on top of the logs.
3. Place a firelighter cube in the lower layer of kindling and light the cube according to the instructions on the packaging.



4. Close the door of the appliance and open the primary air inlet and the secondary air inlet of the appliance; see the following figure.
5. Let this fire develop into a good blaze until there is glowing bed of charcoal. You can then add fuel and adjust the appliance, see the chapter on burning wood.



Primary air slide



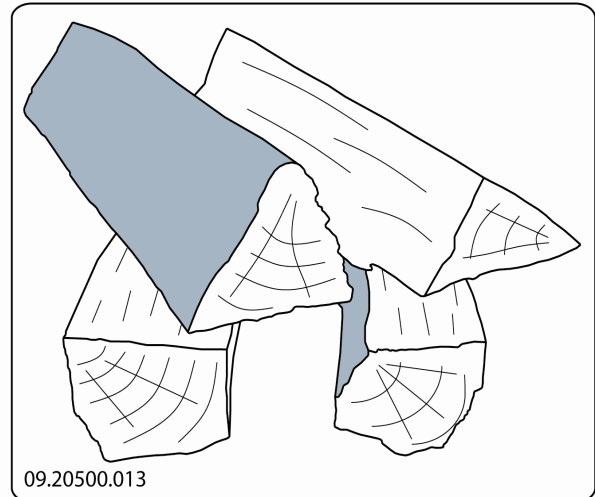
Secondary air slide

Burning wood

After you have followed the instructions for lighting :

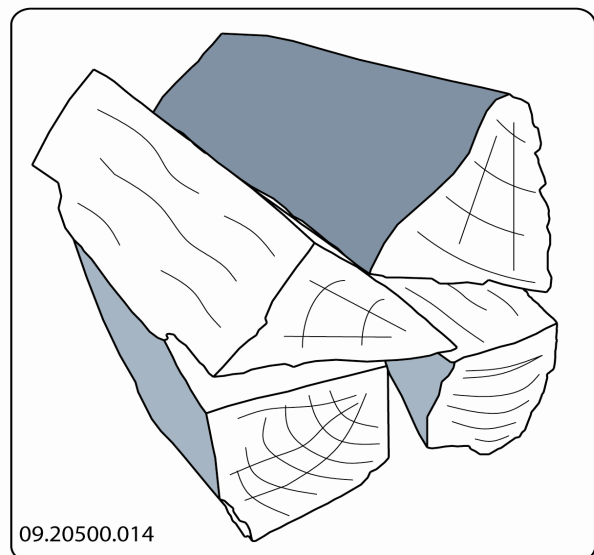
1. Slowly open the door of the appliance.
2. Spread out the charcoal bed evenly across the bottom of the fire compartment.
3. Stack a few logs on the charcoal bed.

Open stacking



If the logs are stacked openly, the wood will burn quickly as the oxygen can reach each log easily. If you want to use the stove for a short while, make an open stack.


Compact stacking



If the logs are stacked tightly, the wood will burn more slowly as the oxygen can only reach some logs

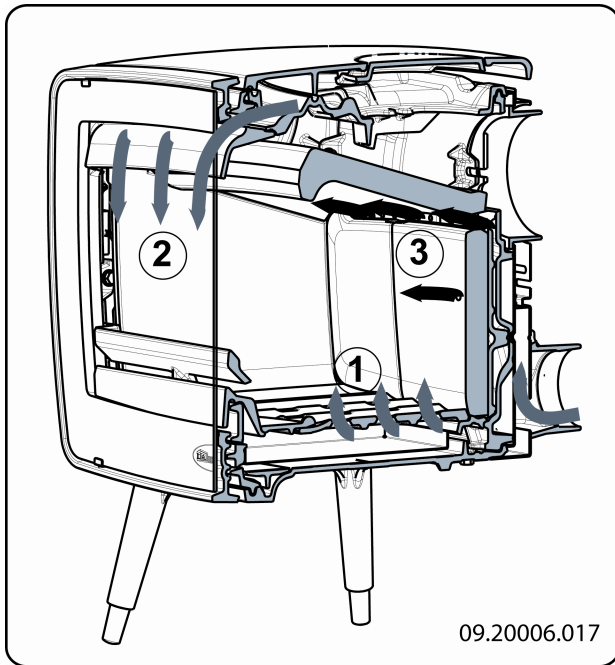
easily. If you want to burn wood for a longer period, make a compact stack.

3. Close the door of the appliance.
4. Close the primary air inlet and leave the secondary air inlet open.

 Fill the appliance up to one third capacity.

Controlling the air

The appliance has various features for the air control (see figure).





The primary air slide controls the air flow under the grille (1).

The secondary air slide controls the air flow for the glass and the vents in the back wall (2).

The baffle plate has permanent vents (3) that allow for post-combustion.

Advice


-  Never burn wood with an open door.
-  Regularly burn wood with intense roaring fires.

If you frequently have low intensity fires, tar and creosote may be deposited in the chimney . Tar and creosote are highly combustible

substances. Thicker layers of these substances might catch fire when the temperature in the chimney increases suddenly and steeply. Therefore it is necessary for the fire to regularly burn very intensely, so that layers of tar and creosote disappear.

Low intensity fires also cause tar deposits on the stove window and door.

When the outside temperature is not very low, it is better to burn wood intensely for a few hours instead of having a low intensity fire for a long period of time.

- ▶ Control the air supply with the secondary air inlet.
 -  The secondary air inlet not only supplies air to the fire but to the glass as well, so that it does not get dirty so quickly.
- ▶ Open the primary air inlet for the time being if the air supply by the secondary air inlet is inadequate or if you want to fan the fire.
- ▶ It is better to add a small amount of logs regularly than to add many logs at the same time.

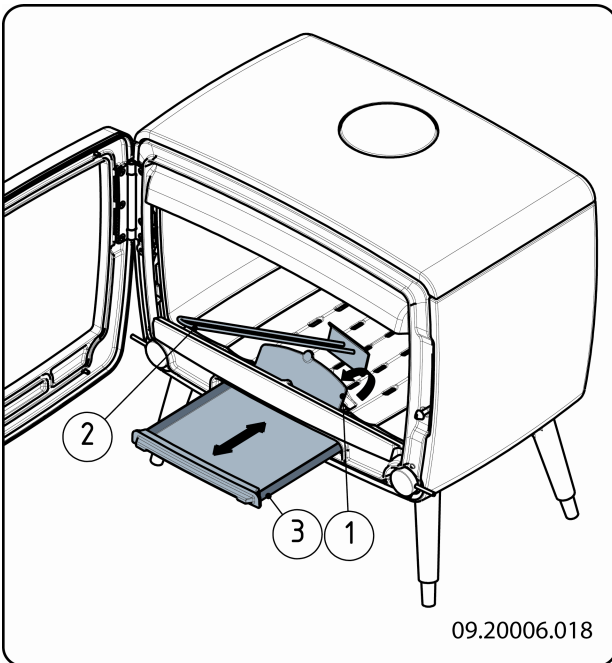
Extinguishing the fire

Do not add fuel and just let the fire go out. If a fire is damped down by reducing the supply of air, harmful substances will be produced and released. Therefore, let the fire go out naturally. Keep an eye on the fire until it is gone out. If the fire has died completely, all air inlets can be closed.

Removing ashes

After the wood has been burnt, a relatively small amount of ashes is left over. This bed of ashes is a good insulating layer for the bottom of the fire compartment and improves combustion. Therefore, you can leave a thin layer of ashes on the bottom of the fire compartment.

However, the air supply through the bottom of the fire compartment must not be impeded and no ash should be allowed to accumulate behind a cast iron inner plate. Therefore, remove any excess ash frequently.



- ▶ If the appliance does not give off enough heat: Refer to the appendix "Diagnostic diagram" and also check whether you are burning enough fuel.

1. Open the door of the appliance.
2. Use the scraper to open the ash removal port in the bottom of the fire compartment (1).
3. Using the scraper, sweep the excess ash (2) through the ash removal port into the ashtray underneath.
4. Close the ash removal port.
5. Remove the ashtray (3) using the glove provided and empty the ashtray.
6. Install the ashtray and close the appliance door.

Comment: The Vintage 30 has no ashtray. Remove the ash with the aid of a spoon or use an "ash clean system" on the vacuum cleaner.

Fog and mist

Fog and mist hinder the venting of smoke gases through the flue. Smoke can precipitate and cause a stench. If it is not strictly necessary, it is better not to use the stove with fog and mist.

problems

- ▶ Refer to the appendix "Diagnostic diagram" to solve any problems in using the appliance.

Maintenance


Follow the maintenance instructions in this chapter to keep the appliance in good condition.

Chimney

In many countries, people are legally required to have their chimney checked and maintained.

- ▶ At the beginning of the heating season: have the chimney swept by an expert.
- ▶ During the heating season and after the chimney has not been used for a long time: have the chimney checked for soot deposits.
- ▶ After the heating season: seal off the chimney with a ball of paper.

Cleaning and other regular maintenance activities

 Do not clean the appliance when it is still warm.

- ▶ Clean the exterior of the appliance with a dry lint-free cloth.


At the end of the heating season, you can clean the interior of the appliance thoroughly:


- ▶ If necessary, first remove the fire-resistant inner plates. See the chapter "Installation" for instructions on removing and installing the inner plates.
- ▶ If necessary, clean the air supply channels. Remove the top plate to this end. The top plate lies loosely on the appliance.
- ▶ If required, remove the baffle plate at the top of the appliance and clean it.


Checking fire-resistant inner plates

The fire-resistant inner plates are consumables and subject to wear. Check the fire-resistant inner plates frequently and replace them when necessary.

- ▶ See the chapter "Installation" for instructions on removing and installing the inner plates.

 The insulating vermiculite inner plates may develop hairline cracks, but that does not affect their performance adversely.

 Cast-iron inner plates go a long way if you frequently remove the ash that may pile up behind it. If accumulated ash behind a cast-iron plate is not removed, the plate cannot dissipate the heat anymore to its surroundings and that may cause the plate to warp or crack.


 Never use the appliance without the fire-resistant inner plates.


Cleaning glass

Dirt clings less easily to well cleaned glass. Proceed as follows:

1. Remove dust and loose soot with a moist cloth.
 2. Clean the glass with stove window cleaner:
 - a. Apply stove window cleaner to a kitchen sponge, rub down the entire glass surface and expose it to the cleaning agent.
 - b. Remove the dirt with a moist cloth or kitchen tissue.
 3. Clean the glass again with a normal glass cleaning product.
 4. Rub the glass clean with a dry cloth or kitchen tissue.
- ▶ Do not use abrasive or aggressive products to clean the glass.

- ▶ Wear household gloves to protect your hands.

 If the glass in the appliance is broken or cracked, it must be replaced before you can use the appliance again.

 Make sure that no stove window cleaner runs between the glass and the cast-iron door.

Maintaining enamelled fire

Never clean the appliance when it is still hot. The enamelled surface of the fire can be cleaned most effectively with a mild green soap and lukewarm water. Use as little water as possible, rub the surface dry and prevent the formation of rust. Wire wool or other abrasives should never be used. Never place a kettle directly onto an enamelled fire; use a stand and prevent damage from occurring.

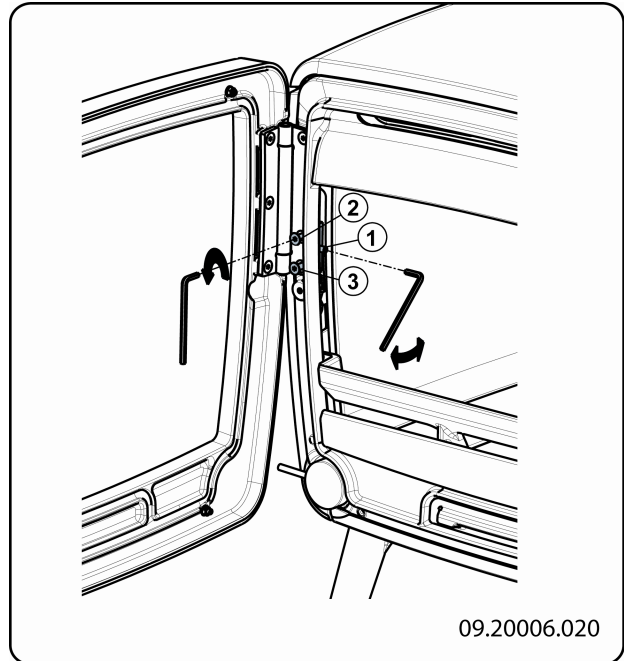
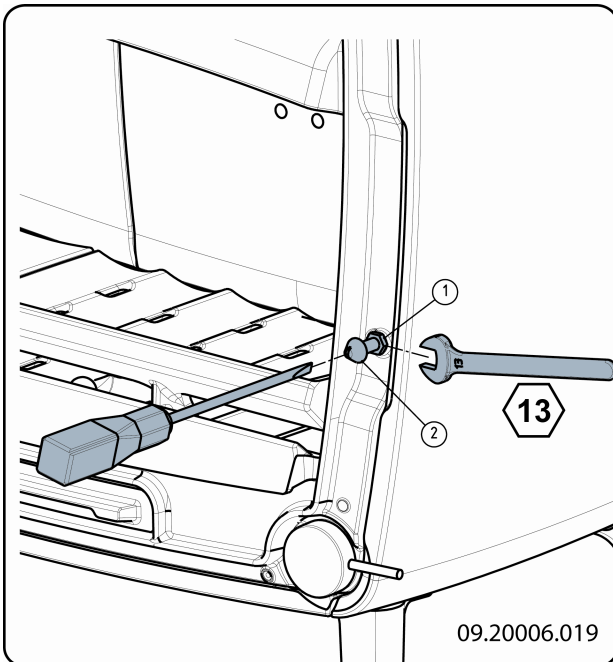
Lubrication

Although cast-iron is slight self-lubricating, you will still have to lubricate moving parts frequently.

- ▶ Lubricate the moving parts (such as hinge pins, latches and air slides) with heat resistant grease that is available in the specialist trade.

Re-adjusting the door lock

1. Loosen the hexagon nut (1) slightly.
2. Screw the locking cam (2) in or out with the help of a screwdriver.
3. Re-tighten the locking nut.



Removing the glass pane

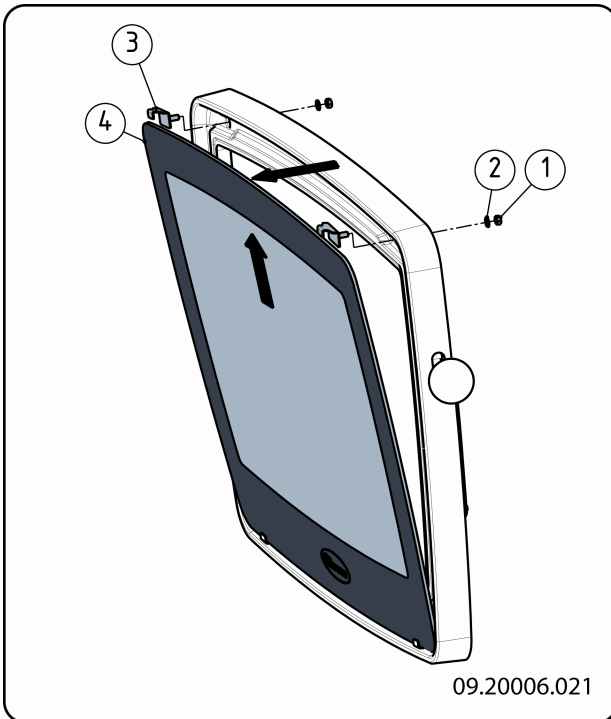
1. Loosen the 2xM5 nuts on the top only.
2. Tilt the pane forwards and lift the pane out of the bottom fixing lips.

Before replacing:

1. Place the glass pane together with the two glass fixings.
2. Tighten the 2xM5 nuts.

Readjusting the hinge

1. Loosen the screws (2) and (3) slightly.
2. Screw setscrew (1) in if the door must be raised and out if the door must be lowered.
3. Retighten the screws (2) and (3) firmly.



09.20006.021


Touching up the finish

Small areas of damaged paint finish can be touched up with a spraying can of special heat-resistant paint finish available from your supplier.

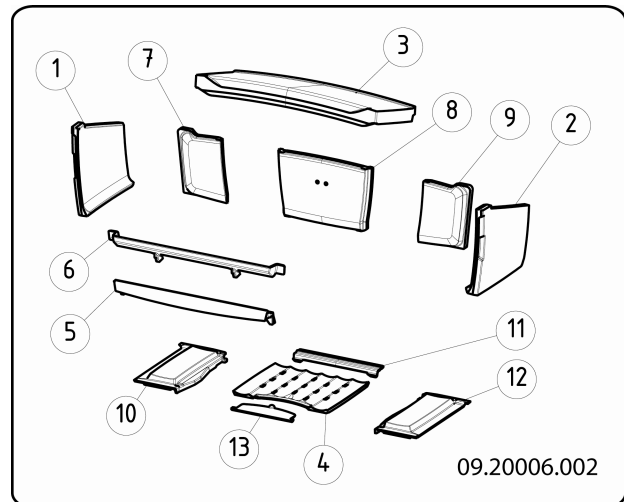
Areas of damaged enamel can be touched up with a special heat-resistant paint finish that is available from your supplier.

Checking the seal

- ▶ Check whether the sealing rope of the door is still in good condition and works well. The sealing rope is subject to wear and needs to be replaced in time.
- ▶ Check the appliance for air leaks. Close any chinks with stove sealant.

 Let the sealant harden fully before you start a fire in the appliance, because otherwise any moisture in the sealant will evaporate in bubbles and cause a new air leak.

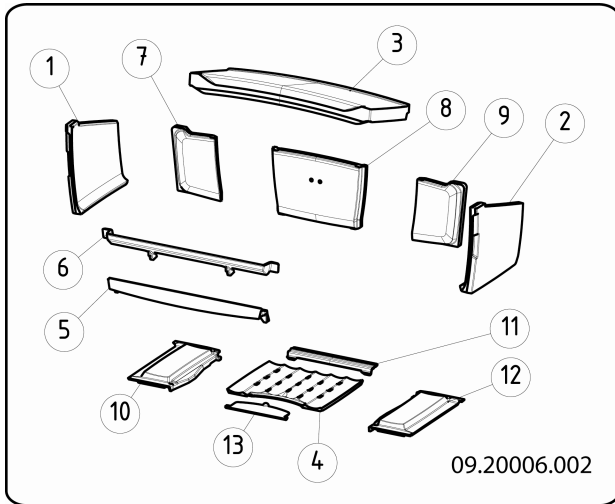
Vintage 50 spare parts



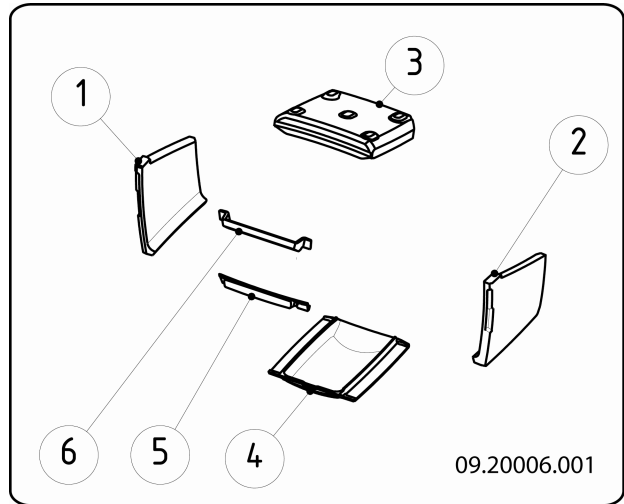
09.20006.002

Pos.	Description	Description	Quantity
1	03.77393.000	left-hand side inner plate	1
2	03.77394.000	right-hand side inner plate	1
3	03.77395.000	baffle plate	1
4	03.66534.000	centre bottom of the fire compartment	1
5	03.77405.000	bottom fire basket	1
6	03.77406.000	top fire basket	1
7	03.77396.000	left-hand rear inner plate	1
8	03.77392.000	centre rear inner plate	1
9	03.77397.000	right-hand rear inner plate	1
10	03.56328.000	left-hand bottom of the fire compartment	1
11	03.56329.000	rear bottom of the fire compartment	1
12	03.56327.000	right-hand bottom of the fire compartment	1
13	03.05407.000	ash removal port	1

Vintage 35 spare parts



Vintage 30 spare parts



Pos.	Description	Description	Quantity
1	03.77393.000	Left-hand side inner plate	1
2	03.77394.000	right-hand side inner plate	1
3	03.77500.000	baffle plate	1
4	03.66534.000	centre bottom of the fire compartment	1
5	03.77410.000	bottom fire basket	1
6	03.77408.000	top fire basket	1
7	03.77501.000	left-hand rear inner plate	1
8	03.77399.000	centre rear inner plate	1
9	03.77502.000	right-hand rear inner plate	1
10	03.56330.000	left-hand bottom of the fire compartment	1
11	03.56329.000	rear bottom of the fire compartment	1
12	03.56331.000	right-hand bottom of the fire compartment	1
13	03.05407.000	ash removal port	1

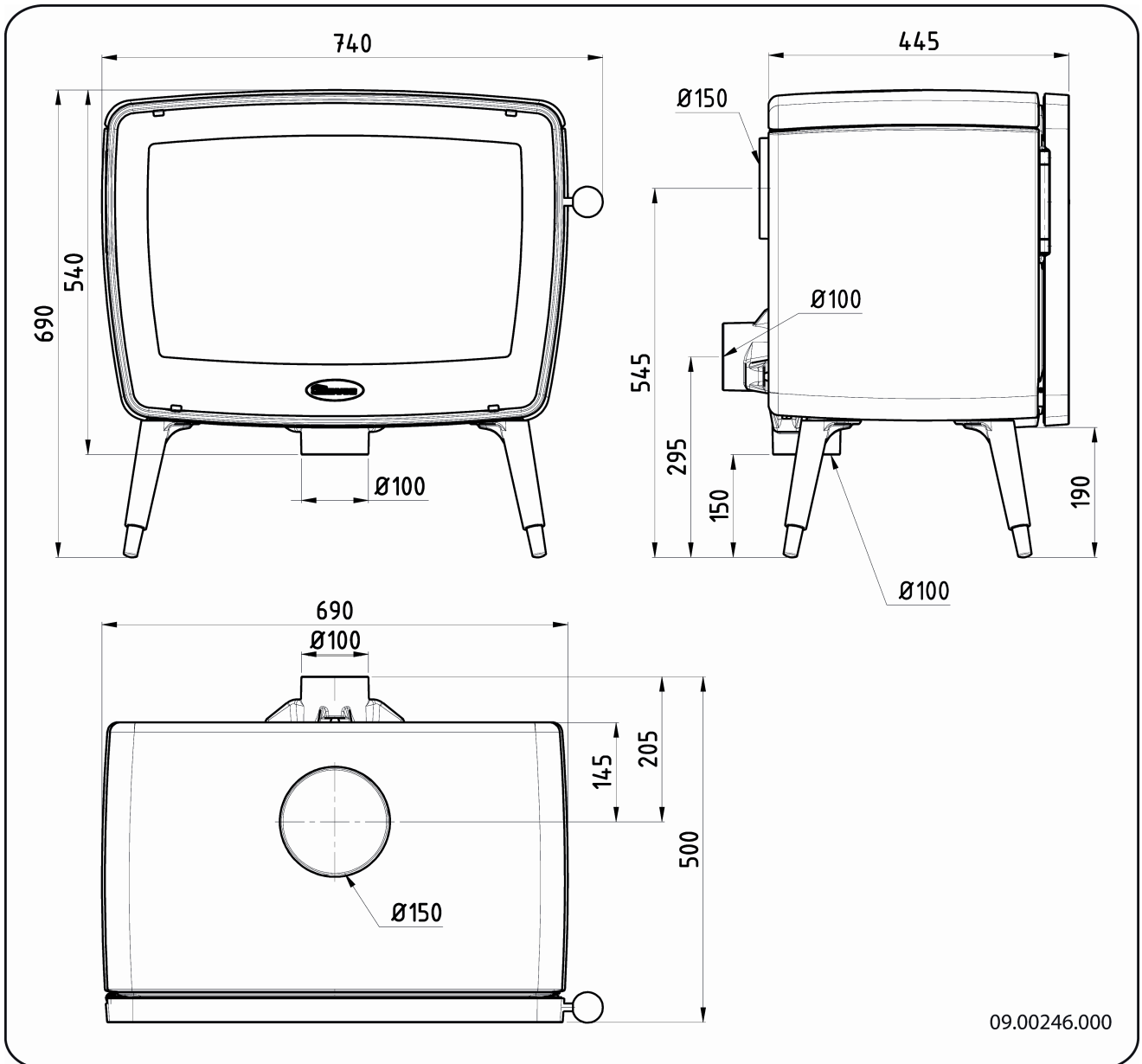
Pos.	Description	Description	Quantity
1	03.77393.000	Left-hand side inner plate	1
2	03.77394.000	right-hand side inner plate	1
3	03.77398.000	baffle plate	1
4	03.66535.000	bottom of the fire compartment	1
5	03.77409.000	bottom fire basket	1
6	03.77407.000	top fire basket	1

Appendix 1: Technical data

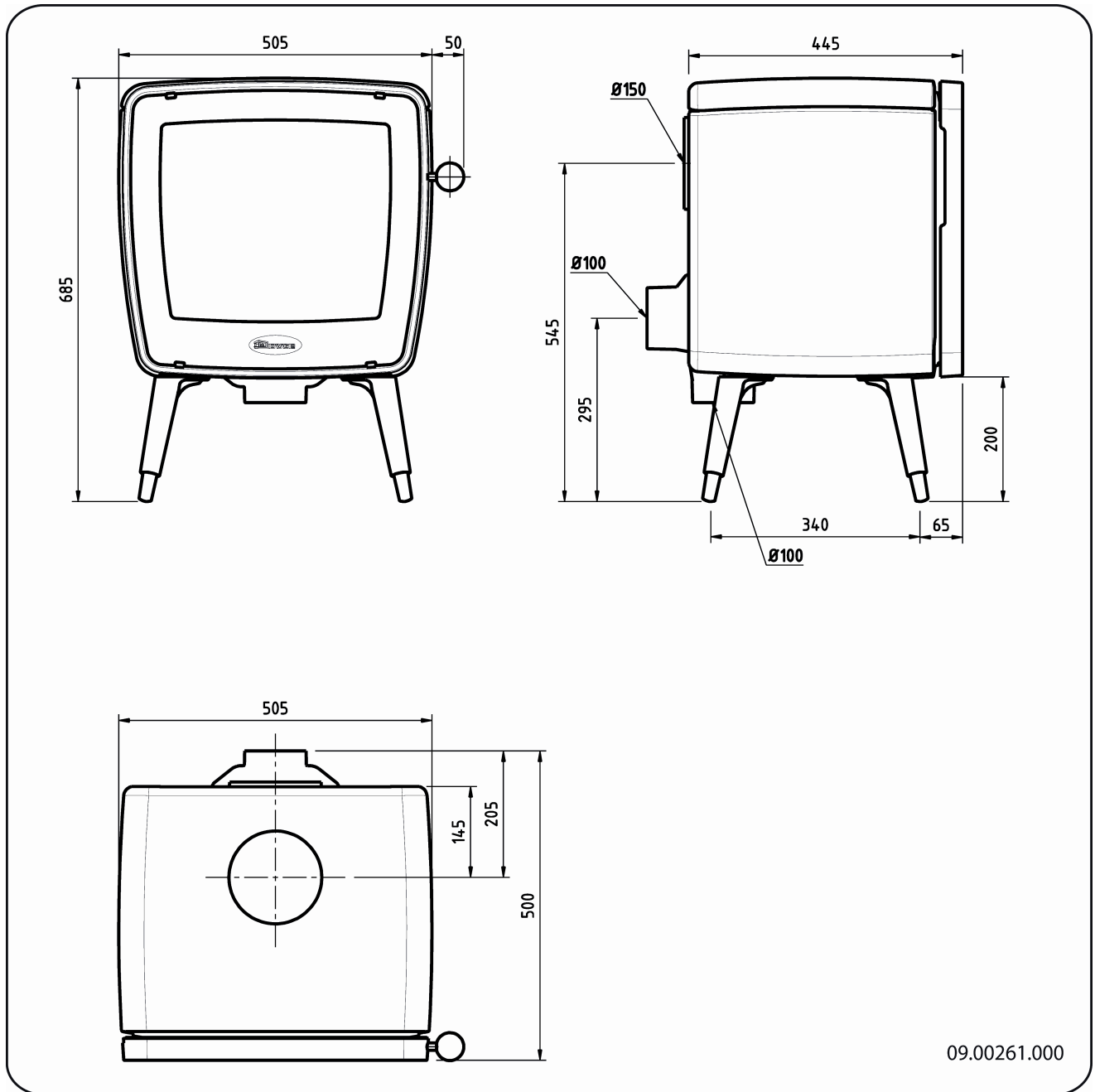
Model	Vintage 50	Vintage 35	Vintage 30
Nominal output	9 kW	7 kW	5 kW
Flue connection (diameter)	150 mm	150 mm	150 mm
Weight	+/- 155 kg	+/- 125 kg	+/- 95 kg
Recommended fuel	Wood	Wood	Wood
Fuel property, max. length	50 cm	35 cm	30 cm
Mass flow of flue gases	6.4 g/s	4.9 g/s	4.2 g/s
Flue gas temperature measured in the measurement section	232	251	244
Temperature measured downstream from the flue spigot	328	298	305
Minimum draught	12 Pa	12 Pa	12 Pa
CO emission (13%O ₂)	0,10 %	0,05 %	0,05 %
NO _x emission (13% O ₂)	112 mg/Nm ³	84 mg/Nm ³	127 mg/Nm ³
CnHm emission (13%O ₂)	96 mg/Nm ³	82 mg/Nm ³	48 mg/Nm ³
Particulate emission	27.1 mg/Nm ³	16.4 mg/Nm ³	6.0 mg/Nm ³
Particulate emission in accordance with NS3058-NS3059	4.94 gr/kg	4,99 gr/kg	1.38 gr/kg
Efficiency	84,2 %	83 %	80,4 %

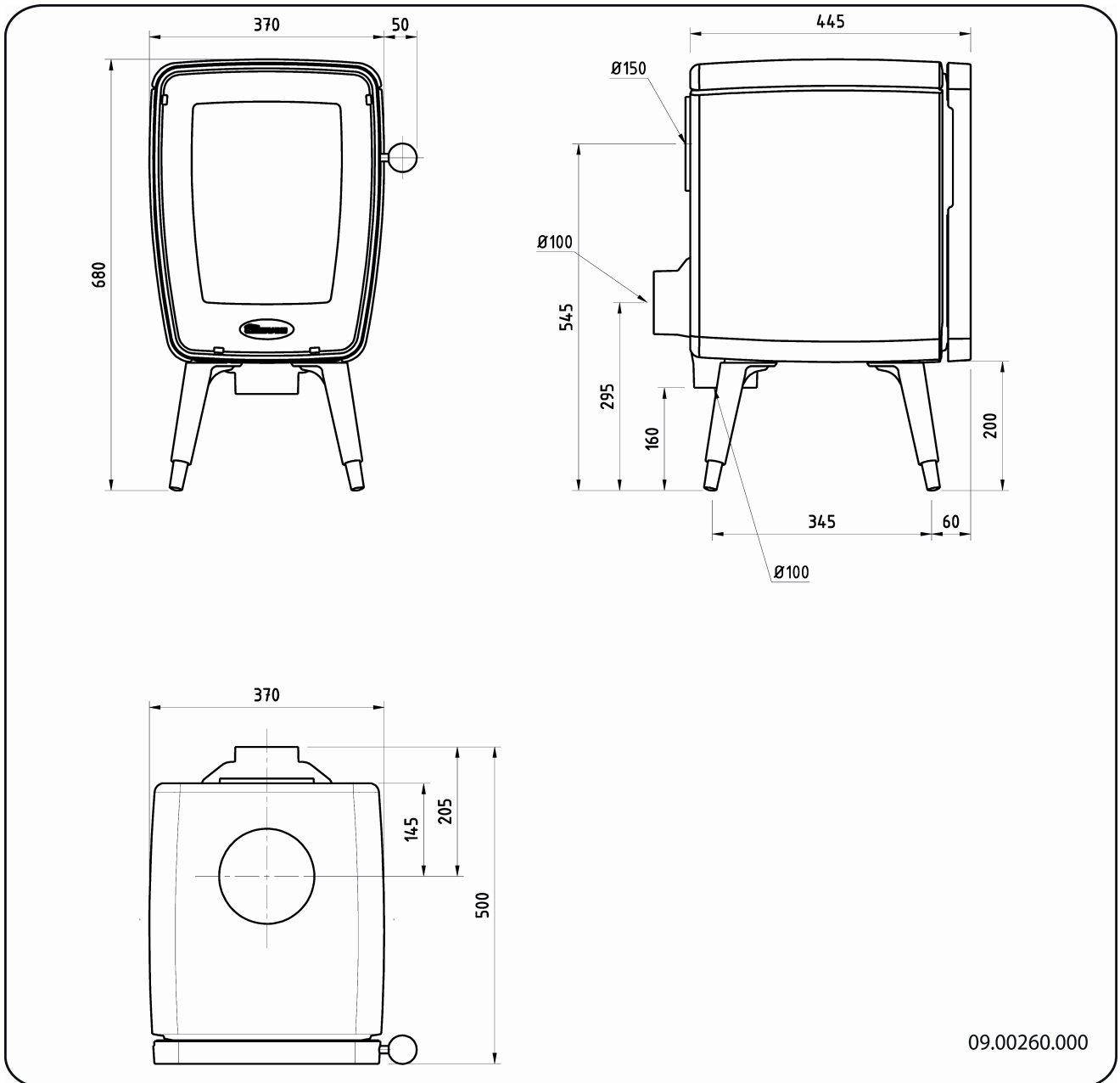
Appendix 2: Measurements

Vintage 50



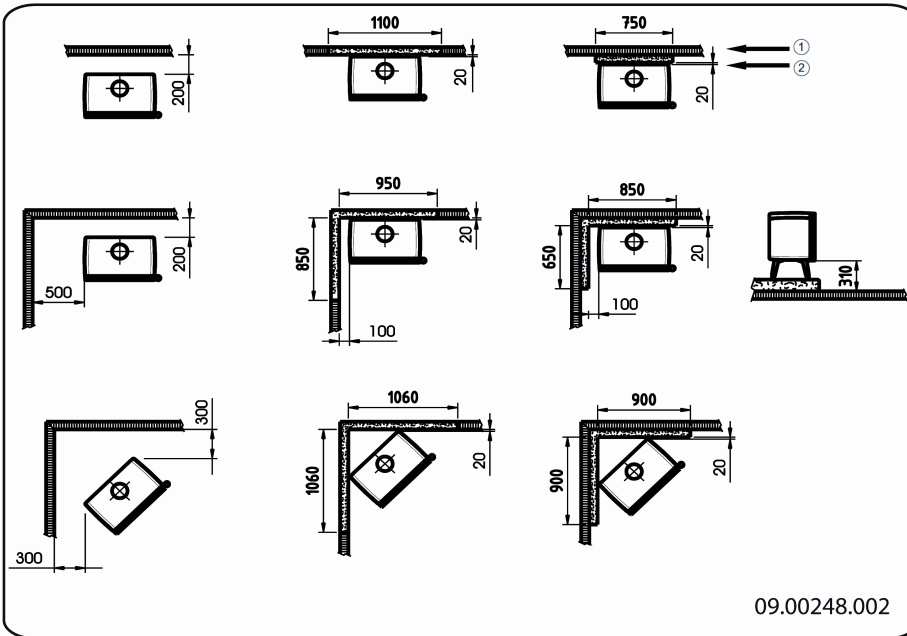
Vintage 35



Vintage 30

Appendix 3: Distance from combustible material

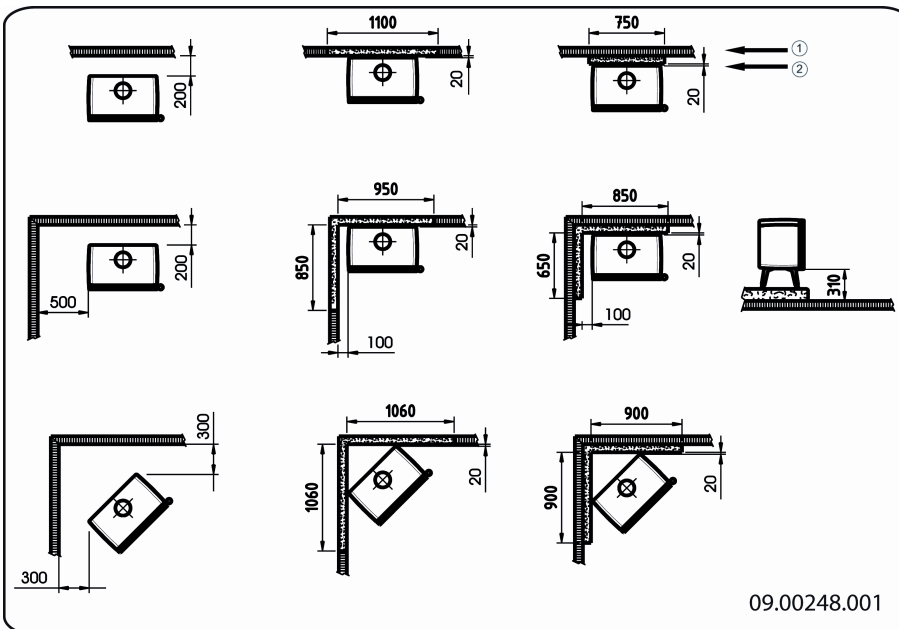
Vintage 50 - Minimum distances for versions without heat shield:



1. Combustible material
2. Incombustible material, thickness 100mm

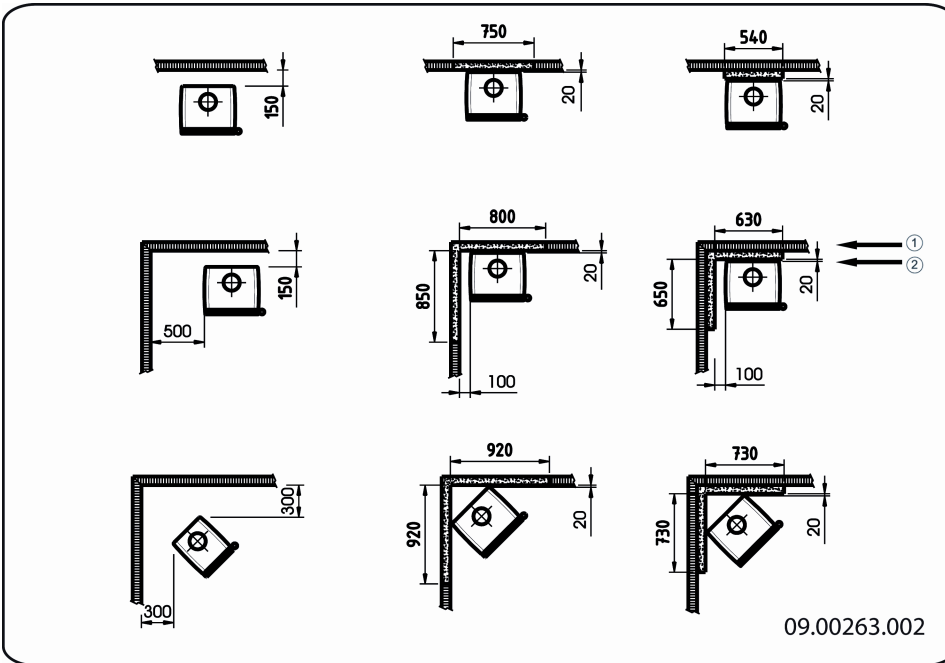
Vintage 50 - Minimum distances for versions with heat shield:

Comment: heat shield is available as an option.



1. Combustible material
2. Incombustible material, thickness 100mm

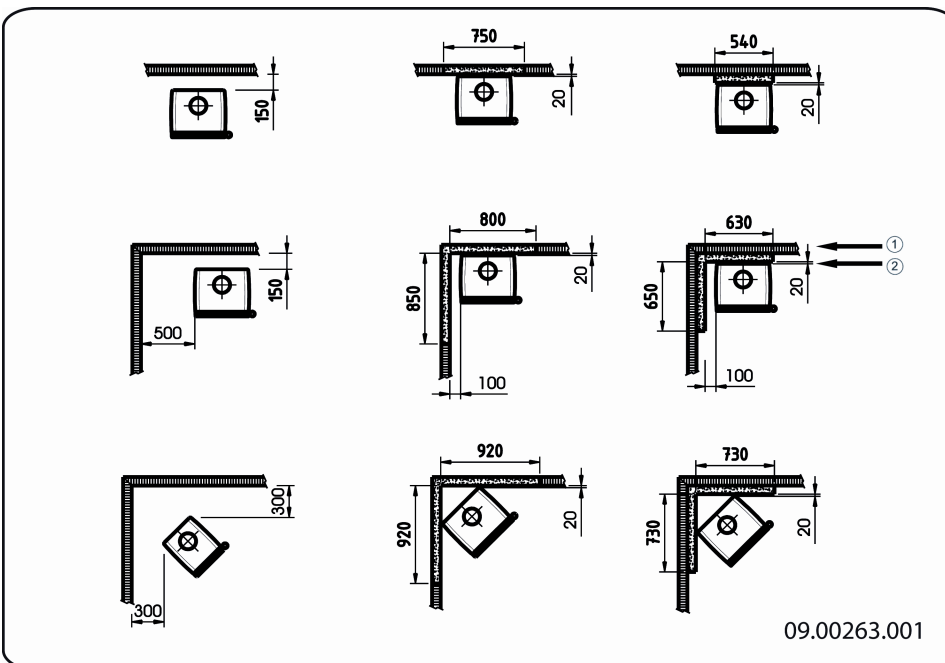
Vintage 35 - Minimum distances for versions without heat shield:



1. Combustible material
2. Incombustible material, thickness 100mm

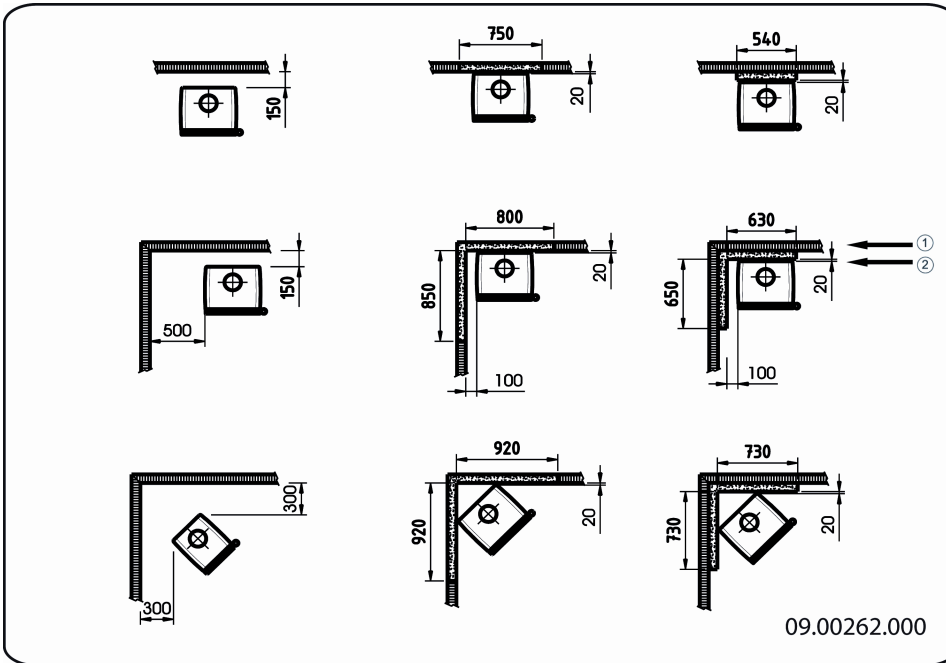
Vintage 35 - Minimum distances for versions with heat shield:

Comment: heat shield is available as an option.



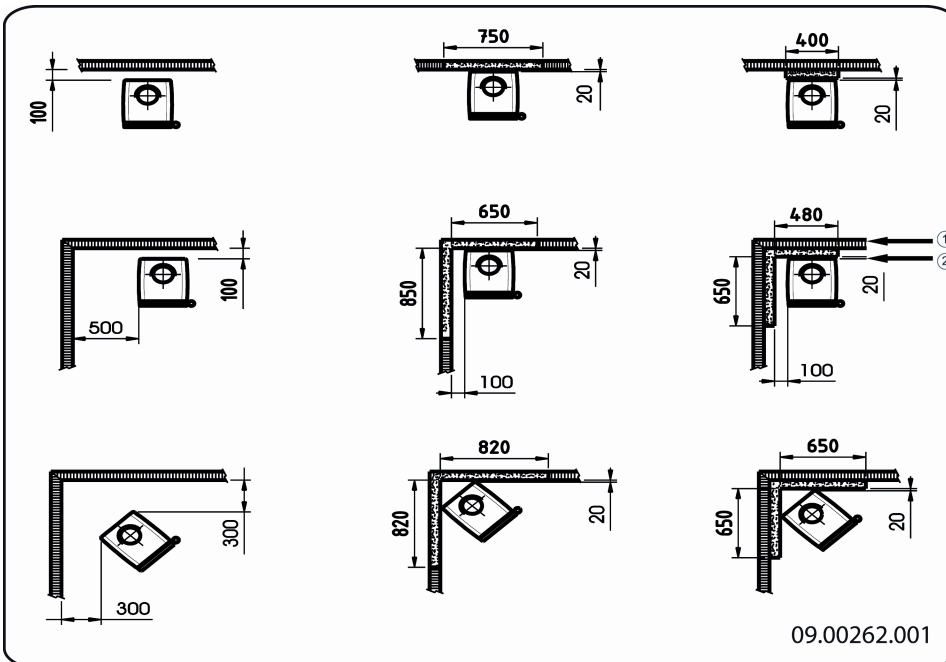
1. Combustible material
2. Incombustible material, thickness 100mm

Vintage 30 - Minimum distances for versions without heat shield:



1. Combustible material
2. Incombustible material, thickness 100mm

Vintage 30 - Minimum distances for versions with heat shield:



Comment: heat shield is available as an option.

1. Combustible material
2. Incombustible material, thickness 100mm

Appendix 4: Diagnostic diagram

				Problem	
●				Wood does not keep burning	
	●			Gives off insufficient heat	
		●		Smoke emissions into the room when adding wood	
			●	Fire in appliance is too intense, is hard to adjust	
			●	Deposit on the glass	
				possible cause	possible solution
●	●	●	●	Insufficient draught	A cold flue usually fails to create sufficient draught. Follow the instructions for lighting in the "Usage" chapter; open a window.
●	●	●	●	Wood too damp	Use wood with no more than 20% moisture.
●	●	●	●	Pieces of wood too big	Use small pieces of kindling. Use split logs no larger than 30 cm in circumference.
●	●	●	●	Wood stacked up incorrectly	Stack up the wood in a way that allows an adequate air flow between the logs (open stacking, see "Burning wood")
●	●	●	●	Chimney does not work properly	Check whether the chimney meets the requirements: at least 4 metres high, right diameter, well insulated, smooth inside, not too many bends, no obstructions in chimney (bird's nest, too much soot deposit), hermetically tight (no chinks)
●	●	●	●	Chimney stack incorrect	Sufficiently high above the roof, no obstacles in its vicinity
●	●	●	●	Air inlets set incorrectly	Open the air inlets completely.
●	●	●	●	Appliance connected to chimney incorrectly	Connection should be hermetically tight.
●	●	●	●	Vacuum in area where appliance is installed	Switch off extraction systems.
●	●	●	●	Insufficient supply of fresh air	Provide an adequate air supply, if necessary use connection to outside air.
●	●	●	●	Adverse weather conditions? Inversion (reversed air flow in chimney because of a high outside temperature), extreme wind velocities	We recommend you don't use the appliance in the case of inversion. Install an extra hood on the flue to increase the draught if need be.
		●		Draught in the living room	Avoid draught in the living room, do not place the appliance near a door, or heating air channels.
			●	Flames touch the glass	Make sure the wood does not lie too close to the glass. Slide the primary air inlet cover closer to the "Closed" position.
			●	Appliance is leaking air	Check the door seals and the device chinks.

Index

A	
Adding fuel	14
Adding wood smoke emissions into the room	27
Air control	14
Air inlets	12
Air leak	18
Air supply for fire	14
Ash removal port	15
Ashes remove	14
Ashtray open	15
B	
Burning wood	13
add fuel	14
adding logs	13
appliance is hard to adjust	27
fire is too intense	27
insufficient heat	15, 27
C	
Carpet	6
Cast iron inner plates	7
Chimney height	5
prepare connection	9
sweep	16
Chinks in appliance	18
Clean glass	16
Cleaning appliance	16
Combustible material distance from	24
Connection measurements	21
Connection collar for connection to chimney	9
Connection to chimney	9
at top	9
top	9
Connection to supply of outside air	10
Control air supply	14
Control of air	14
Cover on flue	5
Creosote	14
D	
Damage	7
Damp wood	12
Door open	7
sealing rope	18
Draught	20
Drying of wood	12
E	
Efficiency	20
F	
Filling height	14
Fire extinguishing	14
lighting	12
Fire going out	14
Fire safety distance from combustible material	24
floor	6
furniture	6
walls	6
Fire-resistant inner plates maintenance	16
remove	7
warning	11
Floors fire safety	6
load bearing capacity	6
Flue connection diameter	20
connection to	11
maintenance	16
requirements	5
Flue gas mass flow	20

temperature.....	20
Fog, do not burn wood.....	15
Foot	
cover.....	10
Fuel	
adding.....	14
adding wood.....	14
necessary amount.....	15
suitable.....	12
unsuitable.....	12

G

Glass	
clean.....	16
deposit.....	27

H

Heat	
insufficient.....	27
Heat, insufficient.....	15
Hood on the flue.....	5

I

Inner plates, fire-resistant	
remove.....	7
Installation	
measurements.....	21

K

Kindled fire.....	12
Kindling.....	27

L

Lighting.....	12
Load bearing capacity of floor.....	6
Lubricant.....	17
Lubricate.....	17

M

Maintenance	
chimney.....	16
clean glass.....	16

cleaning the appliance.....	16
fire-resistant inner plates.....	16
lubrication.....	17
seal.....	18
Measurements.....	21
Mist, do not burn wood.....	15

N

Nominal output.....	15, 20
---------------------	--------

O

Open	
ash removal port.....	15
ashtray.....	15
door.....	7

P

Paint finish.....	12
Particulate emission.....	20
Parts, removable.....	7
Prevent a chimney fire.....	14
Primary air inlet.....	12

R

Removable parts.....	7
Removal of ashes.....	14
Remove	
fire-resistant inner plates.....	7
Remove ashes.....	14

S

Scraper for ash removal.....	15
Screens	
clean.....	16
deposit.....	27
Sealing rope for door.....	18
Secondary air inlet.....	12
Smoke	
on first use.....	12
Smoke emissions into the room.....	5, 27
Softwood.....	12
Solving problems.....	15, 27

Stacking logs.....	13
Storing wood.....	12
Stove window cleaner.....	16
Suitable fuel.....	12
Supply of outside air.....	6, 10
connection to.....	11
Sweep chimney.....	16

T

Tar.....	14
Temperature.....	20

U

Unsuitable fuel.....	12
----------------------	----

V

Ventilation.....	6
connect supply of outside air.....	10
rule of thumb.....	6
Ventilation louvre.....	6
Vermiculite inner plates.....	7

W

Walls	
fire safety.....	6
Warning	
chimney fire.....	4, 12, 14
combustible materials.....	4
fire-resistant inner plates.....	11
glass broken or cracked.....	4, 16
hot surface.....	4
regulations.....	4
stove window cleaner.....	16
terms and conditions for insurance.....	5
ventilation.....	4, 6
Weather conditions, do not burn wood.....	15
Weight.....	20
Wood.....	12
damp.....	12
does not keep burning.....	27
drying.....	12
right sort.....	12
storing.....	12



United Kingdom and Eire distributors for Dovre:

STOVAX

Stovax Limited, Falcon Road, Sowton Industrial Estate, Exeter, Devon, England, EX2 7LF.

Telephone: (01392) 474011 Fax: (01392) 219932

E-mail: dovre@stovax.com Internet: www.dovre.co.uk